

ECLIPSE CROSS





Styled to delight

New destinations. Unprecedented encounters. The ECLIPSE CROSS gives you the confidence to boldly take that first step into the unknown. It's the stylish coupe SUV that adds enjoyment to your daily life.

Note: Some equipment may vary by market. Please consult your local Mitsubishi Motors dealer/distributor for details.

Drive your Ambition



There's no ideal path to success—it's full of unexpected turns and curves. However unique your destination, the ECLIPSE CROSS helps you discover your passions to guide you to your goals.

Confidence on any road.

The ECLIPSE CROSS responds faithfully to driver input, putting you in control. Its immediate, responsive handling provides maximum driving enjoyment and safety you can count on.



SUPER ALL WHEEL CONTROL

Complete control in any road condition

S-AWC is Mitsubishi Motors' full-time, 4WD-based integrated vehicle dynamics control system that optimises driving and braking power at each wheel for more power, better cornering, and better stability in any driving condition.

Drive Mode



NORMAL Mode
(Paved roads)



SNOW Mode
(Snow-covered roads)



GRAVEL Mode
(Rough roads)

- S-AWC is a driver support system that assists the driver with braking and driving operations. As with vehicles without this system, safe driving is required such as decelerating before entering a curve. The driver is always responsible for safe and attentive driving.
- When driving on snow-covered roads, please make sure to use winter tyres.

Note: Some equipment may vary by market. Please consult your local Mitsubishi Motors dealer/distributor for details.



Open the door and take a seat—it's the moment the enjoyment starts.

The moment you notice its purposeful design and feel the refinement with your fingertips. It's from here you boldly start each day.

05
06



Empowering, spirit-lifting design.

The ECLIPSE CROSS features a stylish, cockpit-like interior design. The horizontally laid out instrument panel flows dynamically with meticulously designed silver accents and refined materials.



Note: Some equipment may vary by market. Please consult your local Mitsubishi Motors dealer/distributor for details.



Ambitiously spacious.

There's plenty of room to expand your lifestyle. The ECLIPSE CROSS offers a roomy and relaxing cabin area with generous cargo space that supports all your favourite activities.



Face new challenges. Feed your curiosities. Do what you want, when you want—all at a moment's notice. With this much space, it's easy to fulfil any of your desires.

07
08



Luggage space

Load up to four 9-inch golf bags in the spacious luggage area. The 6:4 split rear seats can be easily folded down for even more cargo space.



Heated seat

The driver's seat, front passenger's seat and two rear seats provide heaters in the cushions and seatbacks that can be activated or deactivated from easy-to-access switches.



9-step reclining rear seat

The rear seats have a 9-step reclining feature to set the seats to your preferred position for a comfortable driving experience.



Note: Some equipment may vary by market. Please consult your local Mitsubishi Motors dealer/distributor for details.

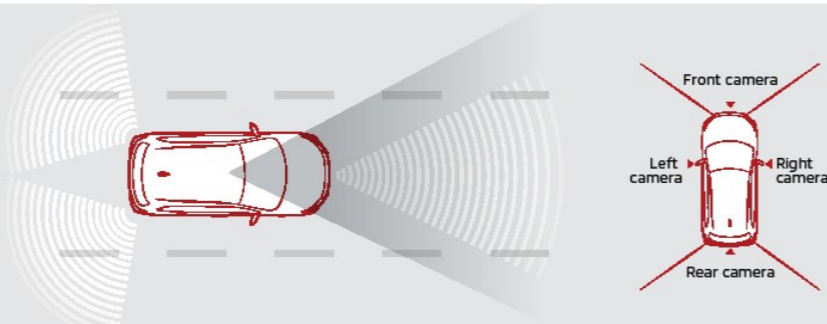


Make the most of each day. Enjoy each moment and aim even higher. These reliable safety features you can trust give you the confidence to keep moving ahead.



The power to move ahead.

To truly enjoy your time behind the wheel, reliable safety is a must. The ECLIPSE CROSS comes equipped with various active safety features that improve safety and peace of mind wherever you go.



- Forward Collision Mitigation System [FCM]
- Adaptive Cruise Control System [ACC]
- Lane Departure Warning [LDW]
- Rear Cross Traffic Alert [RCTA]
- Blind Spot Warning [BSW]
- Traffic Sign Recognition [TSR]
- Ultrasonic misacceleration Mitigation System [UMS]
- Multi Around Monitor

Note: **FCM:** The detection and control capabilities of Forward Collision Mitigation [FCM] are supplemental only and do not prevent collisions in every situation. FCM operates when a vehicle is in front of your vehicle. FCM is also designed to detect pedestrians, but may not detect them or be activated in some situations. Auto braking is activated for a car ahead when your vehicle is travelling at a speed of approx. 5km/h to 80km/h (approx. 5km/h to 180km/h if your vehicle is equipped with ACC) and for a pedestrian ahead at approx. 5km/h to 65km/h. Since FCM has no function to maintain braking, the brake is released approximately 2 seconds after stopping. To prevent the vehicle from rolling thereafter, the driver may have to hold the brake pedal down. In some cases, FCM may not function if the driver takes actions for accident avoidance through steering or acceleration operation. **ACC:** The detection and control capabilities of ACC are supplemental only. ACC may not be activated in some situations. This system may not correctly detect the actual situation depending on the type of vehicle in front and its conditions, the weather conditions, and the road conditions. Additionally, the system may be unable to decelerate sufficiently if the vehicle in front applies the brakes suddenly or another vehicle cuts into your path, so your vehicle approaches the front vehicle. **LDW:** Lane Departure Warning is not designed to lessen risks associated with not looking ahead carefully (attention drawn to something on the side, absentmindedness, etc.) or poor visibility caused by bad weather, etc. It is designed to detect the lane at a speed of approx. 65km/h or more keep steering your vehicle correctly and drive safely. The system may not be able to detect the lane correctly in some conditions. **RCTA:** Do not rely solely on this system, which may not detect all moving vehicles in certain conditions. **BSW:** The detection and control capabilities of Blind Spot Warning [BSW] are supplemental only and do not warn you of vehicles in blind spots in every situation. BSW may not operate normally in some cases, depending on traffic, weather, road surface conditions and the presence of obstructions. **TSR:** In the following situations, the system may not be able to recognise traffic signs or the displayed traffic sign information may be different from the actual information. When driving the vehicle, always check the traffic signs with your own eyes. When the traffic signs are located outside the detection area of the sensor. When visibility is poor due to bad weather, etc. **UMS:** The detection and control capabilities of Ultrasonic misacceleration Mitigation System [UMS] are supplemental only and do not prevent misacceleration in every situation. Please drive safely and do not rely solely on this system while driving. To prevent the engine output control provided by UMS from causing an impediment during normal driving in rough-road driving conditions, the system automatically de-activates and indicates UMS OFF in the meter cluster when the FCM function is OFF or the ASC function is OFF. No function completely stops the vehicle via the automatic braking. The vehicle may creep forward or backward even when engine output is regulated. The sensing system may not work for netlike and sharp-edged obstructions that do not sufficiently reflect ultrasonic sound. UMS does not include a function which keeps the vehicle stationary. The driver is responsible for stopping the vehicle by pressing the brake pedal as required by the driving conditions. ■The radar wave graphics are used for illustrative purposes only and do not represent the actual sensor application. Drivers are fully responsible for their own safe driving. Please drive safely and do not rely solely on these systems whilst driving. Please see the owner's manual for additional information. If you have any questions, please consult your local Mitsubishi Motors dealer/distributor for details.

Note: Some equipment may vary by market. Please consult your local Mitsubishi Motors dealer/distributor for details.

Explore the latest, buzzing, vibrant restaurant scenes conveniently with your smartphone. As you navigate your world freely from inside, there's no limit to the fun you can have.



An enduring connection.

The ECLIPSE CROSS features an improved Smartphone Link Display Audio with a larger 8-inch touchscreen that's stylish and easy to use.



Smartphone Link Display Audio

Simply connect your smartphone to the USB port to use your favourite apps to browse maps, play music, make hands-free calls, and more.



When you connect your iPhone to your car, you can use the following main features of Apple CarPlay.

- MAPS •MUSIC •PHONE •Siri •MESSAGES •APPS

Note: iPhone, Siri and Apple CarPlay are trademarks of Apple Inc., registered in the U.S. and other countries. For more information: www.apple.com/ios/carplay/



When you connect your Android smartphone to your car, you can use the following main features of Android Auto.

- MAPS •MUSIC •PHONE •Google Assistant •MESSAGES •APPS

Note: Google, Google Assistant, Android, Android Auto and other related marks are trademarks of Google LLC. For more information: www.android.com/auto/

Mitsubishi Power Sound System (MPSS)

MPSS optimises in-car acoustics depending on cabin shape and speaker position to produce a clear and fresh sounding audio.



Note: Some equipment may vary by market. Please consult your local Mitsubishi Motors dealer/distributor for details.

LINE-UP

EXCEED



LS



XLS



ES



BODY COLOUR



Red Diamond [P62]



White Diamond [W85]



Bronze Metallic [C21]



Sterling Silver Metallic [U25]



Lightning Blue Mica [D06]



Black Mica [X42]



Titanium Grey Metallic [U17]



White Solid [W37]

SEAT MATERIALS



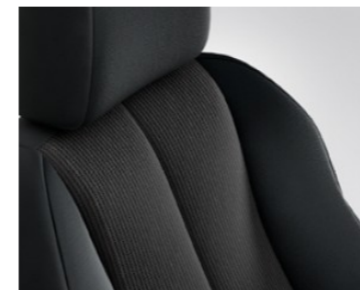
Leather (Black)*



Leather (Light Grey)*



Synthetic Leather



Fabric (Black A)



Fabric (Light Grey)



Fabric (Black B)

Note: Some equipment may vary by market. Please consult your local Mitsubishi Motors dealer/distributor for details.

*Vehicles with genuine leather seats use synthetic leather for a part of the seat surface, sides, backside, headrest, rear centre armrest, and door trim fabric. Note: Colours shown may differ slightly from actual colours due to printing process. Please consult your local Mitsubishi Motors dealer/distributor for actual colours.

STANDARD AND OPTIONAL EQUIPMENT (Fill in according to your region's specifications. Do not print this version.)

■ Standard □ Optional - Not available

Models	ES	LS	XLS	Exceed
Drivetrain and Chassis				
S-AWC (Super-All Wheel Control) (4WD models only)				
2WD Active Yaw Control [AYC] (2WD models only)				
215/70R16 tyres and 16" x 6.5J steel wheels with covers				
215/70R16 tyres and 16" x 6.5J alloy wheels machine finished 2-tone				
225/55R18 tyres and 18" x 7.0J alloy wheels machine finished 2-tone				
Tyre repair kit				
Anti-lock Brake System [ABS] with Electronic Brake-force Distribution [EBD]				
Active Stability Control [ASC] with Hill Start Assist [HSA] and Brake Assist				
Brake Override System				
Electric power steering				
Front strut tower bar				
Automatic transmission shift lock and Key interlock (CVT model only)				
Starter inter lock (6MT models only)				
Exterior				
Front bumper				
Skid plate (front / rear)				
Side door garnish				
Side upper and window moulding (chrome)				
Door mirrors with side turn lamp and defogger (colour-keyed)				
Door mirrors with power folding function				
Windshield glass (laminated glass with ultra violet ray-absorbing function)				
Laminated windshield glass with sound proof (laminated glass with ultra violet ray-absorbing function)				
Heated windshield glass				
Front door glass with ultra violet ray-absorbing function				
Rear doors/rear quarter/tailgate glass (privacy glass with ultra violet ray-absorbing)				
Roof rails (black)				
Shark-fin antenna				
Roof spoiler (with LED high mount stop lamp)				
Power panoramic sunroof				
Safety and Security				
Immobiliser / Security alarm				
Driver's and passenger's SRS airbags with passenger's SRS airbag cut-off switch				
Side SRS airbags, curtain SRS airbags & driver's knee SRS airbag				
Front 3-point seatbelt with Emergency Locking Retractor [ELR] with force limiter and pretensioner				
Rear 3-point ELR seatbelt x 3 with force-limiter and pretensioner x 2* (*rear centre seat is not included)				
Lower anchor and tether anchor for ISO-FIX child seat (for rear seats)				
Forward Collision Mitigation system [FCM]				
Lane Departure Warning [LDW]				
Adaptive Cruise Control System [ACC] (CVT model only)				
Blind Spot Warning [BSW] with Lane Change Assist [LCA] / Rear Cross Traffic Alert [RCTA]				
Ultrasonic misacceleration Mitigation System [UMS]				
Multi Around Monitor				
Emergency Stop Signal system [ESS]				
Corner sensors (8 points)				
Tyre Pressure Monitoring System [TPMS]				
Child safety locks (rear door)				
Headlining (fleece material)				
Interior				
Steering wheel (3 spoke type) and Gearshift knob				
Leather-wrapped steering wheel (3 spoke type) with piano black and chrome accent and Gearshift knob				
Tilt and telescopic steering wheel				
Paddle shifters (CVT models only)				
Steering switch (cruise control and speed limiter)				
Heated steering wheel				
Electric Parking Brake with Brake Auto Hold (CVT model only)				
Seat material (fabric)				
Seat material (high-grade fabric)				
Seat material (leather with stitch, power adjustable front seat and seatback pocket)				
Seat material (combination [artificial suede leather & synthetic leather] with stitch, power adjustable front seat)				
Power adjustable passenger's seat (only for leather seat)				
Rear seat reclining function				
Rear seat back folding function (60:40 split type)				
Rear seat headrest (x 3)				
Drink holder x 2 (rear centre armrest)				
Heated front seat				
Heated rear seat				
Front and rear door trims (fabric insert)				
Front and rear door trims (synthetic leather insert)				
Bottle holders (front and rear doors)				
Inner door handles				
Central door locking system				
Remote keyless entry (transmitter x 2)				
Keyless Operation System [KOS] with engine switch (transmitter x 2) (key cylinder illumination less)				

Note: Some equipment may vary by market. Please consult your local Mitsubishi Motors dealer/distributor for details.

STANDARD AND OPTIONAL EQUIPMENT (Fill in according to your region's specifications. Do not print this version.)

■ Standard □ Optional - Not available

Models	ES	LS	XLS	Exceed
Interior				
Key cylinder illumination				
Driver's and passenger's sunvisors with vanity mirrors, lids and ticket holders				
Driver's and passenger's sunvisors with vanity mirrors, lids, ticket holders and illuminations				
Dimming rearview mirror				
Auto dimming rearview mirror				
Retractable type assist grip (driver's seat x 1, passenger's seat x 1 and rear seat x 2)				
Coat hanger (driver's back)				
Black headlining				
Multi-information display				
Head Up Display [HUD] (combiner type)				
ECO mode switch				
Smartphone tray (lower centre panel)				
Accessory socket (DC12V) (instrument panel and floor console)				
Floor console box with armrest				
Floor console box with large armrest (synthetic leather)				
Sunglasses tray				
Shift position indicator				
Drive mode selector (4WD models only)				
Tonneau cover				
Luggage floor box				
Cargo room hook (x 4)				
Room and map lamp (front)				
Room lamps (rear)				
Luggage room lamp				
LED interior illumination (smartphone tray)				
LED interior illumination (front door handle, front door pocket)				
Power windows (driver's side auto up/down and anti-trap function)				
Power windows with anti-trapping and all doors auto up and down for driver's seat with illumination switch				
Air conditioning and Audio				
Automatic climate control air conditioning				
Dual-zone automatic climate control air conditioning				
Wide 2DIN Audio with 4 speakers, AM/FM/DAB radio, USB port (front console)				
Smartphone Link Display Audio with 6 speakers, AM/FM/DAB radio, USB/Bluetooth® music player, USB port (Front console, dual port type) and Rear view monitor				
Smartphone Link Display Audio [SDA] with Mitsubishi Power Sound System (MPSS) 8 speakers, AM/FM/DAB radio, USB/Bluetooth® music player, USB port (Front console, dual port type) and Rear view monitor				
Display audio with 6 speakers, AM/FM/DAB radio, CD/MP3 player, USB port (front console, single port type) and Rear view monitor				
Display audio with Mitsubishi Power Sound System (MPSS), 8 speakers, AM/FM/DAB radio, CD/MP3 player and USB port (front console, single port type) and Rear view monitor				
Smartphone Link Display Audio [SDA] navigation system with 6 speakers, AM/FM/DAB radio, CD/MP3 player, USB port (front console, single port type) and Rear view monitor				
Smartphone Link Display Audio [SDA] navigation system with Mitsubishi Power Sound System (MPSS) 8 speakers, AM/FM/DAB radio, CD/MP3 player, USB port (front console, single port type) and Rear view monitor				
Bluetooth® hands-free system with voice control				
Lighting and Visibility				
Projector halogen headlights with manual levelling				
LED headlights (high/low beam) with manual levelling				
Auto on/off headlights				
Automatic High Beam [AHB]				
LED Daytime Running Lamps [DRL]				
Headlight washers				
Welcome light and Coming home light				
LED Front fog lamps				
Rear combination lamps (LED tail and stop lamp)				
Rear fog lamp				
Rain-sensing windshield wipers				
Rear window intermittent wiper				
Tailgate window defogger				

WARNING

- Individuals who use implantable pacemakers or implantable cardioverter-defibrillators should keep away from the keyless operation system. The electromagnetic waves used in the keyless operation system may affect the operation of implantable pacemakers or implantable cardioverter-defibrillators.
- Individuals using other electro-medical apparatuses should check with the manufacturer of the apparatus to confirm the effect of the electromagnetic waves used by the keyless operation system, as the electromagnetic waves may affect their operations.

NOTES ON SMARTPHONE LINK DISPLAY AUDIO

- Google, Google Assistant, Android, Android Auto and other related marks are trademarks of Google LLC.
- iPhone, Siri and Apple CarPlay are trademarks of Apple Inc., registered in the U.S. and other countries.
- Android Auto requires the Android Auto app on Google Play and an Android compatible smartphone running Android™ 5.0 Lollipop or higher.
- Apple CarPlay requires an iPhone with iOS 8 or higher.
- Despite the expansion of supporting countries, Android Auto and Apple CarPlay are NOT available in some markets. Please check the website for the latest information on availability.
 - Android Auto: <https://www.android.com/auto/#country-list>
 - Apple CarPlay: <http://www.apple.com/ios/feature-availability/#applecarplay-applecarplay>
- Android Auto and Apple CarPlay may not work under weak or no network condition even in supported areas.
- Customer is responsible for all communication fees. Also customer may be charged extra fees based on their contracted price plan by the telecom carriers.
- Customer may be requested to subscribe for roaming services by the telecom carriers when using in other countries.
- Not all smartphone Apps are compatible with Android Auto or Apple CarPlay. For safety reasons, only compatible apps are available in this Smartphone-link Display Audio.
- Some features or apps may not be available for all countries or all areas.
- The images used may not reflect the latest updates.
- Please check this website to confirm smartphones compatibility with Smartphone Link Display Audio. https://www.mitsubishi-motors.com/en/products/splink_display_audio/index.html

TECHNICAL SPECIFICATIONS

		2WD			4WD	
		1.5 litre MIVEC CVT*1 AS&G 5-seater				
		GK1WXTMUR8	GK1WXTHUR8	GK1WXTPUR8	GK1WXTHUR8	GK1WXTPUZR8
Dimensions						
Overall length	mm	4,545				
Overall width	mm	1,805				
Overall height	mm	1,685				
Wheelbase	mm	2,670				
Track						
Front	mm	1,545				
Rear	mm	1,545				
Ground clearance	mm	175				
Gross Vehicle Weight	kg	2,100				
Towing Capacity (with brake)	kg	1,600				
Minimum turning radius	m	5.3				
Fuel System						
Fuel Type / octane		unleaded / RON90 and over				
Fuel Consumption						
Urban	litres/100km	9.2			9.8	
Extra Urban	litres/100km	6.2			6.5	
Combined	litres/100km	7.3			7.7	
Fuel Tank Capacity	litres	63			60	
Engine Type		1.5L 16VALVE DOHC MIVEC I/C Turbocharged (4B40)				
Total displacement	cc	1,499				
Injection system		ECI-Multi				
Emission level		Euro-6d Temp				
Max. output	kw/rpm	110/5,500				
Max. torque	N-m/rpm	250/2,000-3,500				
Transmission						
Clutch		Torque converter				
Gear Ratio						
D Range		2.631-0.378				
1st		2.631				
2nd		1.765				
3rd		1.313				
4th		1.046				
5th		0.843				
6th		0.664				
7th		0.518				
8th		0.404				
Reverse		1.960				
Final		6.386				
Performance						
Max. Speed*2	km/h	195				
Acceleration*3						
0-100km/h	sec.	11.1			11.4	
0-400m	sec.	17.9			18.2	
Suspensions						
Front		MacPherson strut with stabiliser bar				
Rear		Multi link suspension with stabilizer bar				
Brakes						
Front		Ventilated discs				
Rear		Discs				
Steering						
Type		Rack-and-pinion (electric power assisted)				
Tyres and Wheels						
Tyres (front and rear)		225/55R18				

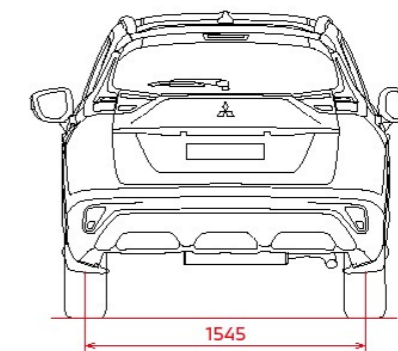
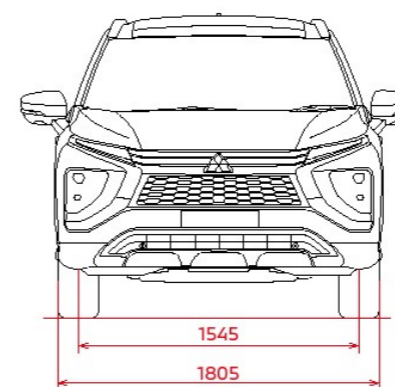
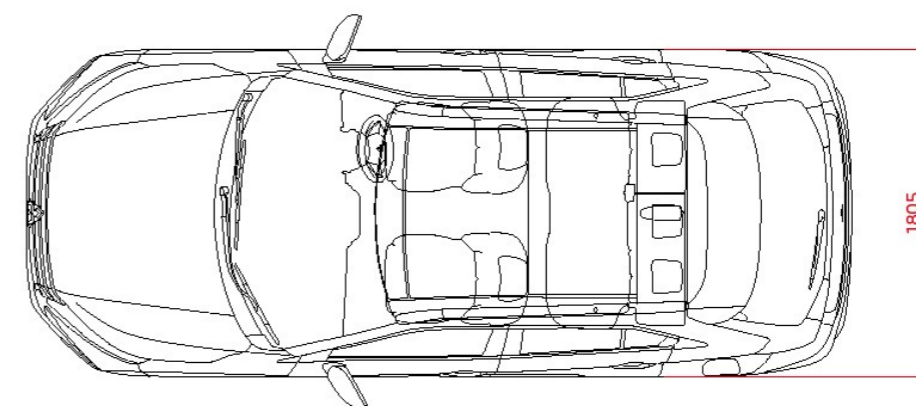
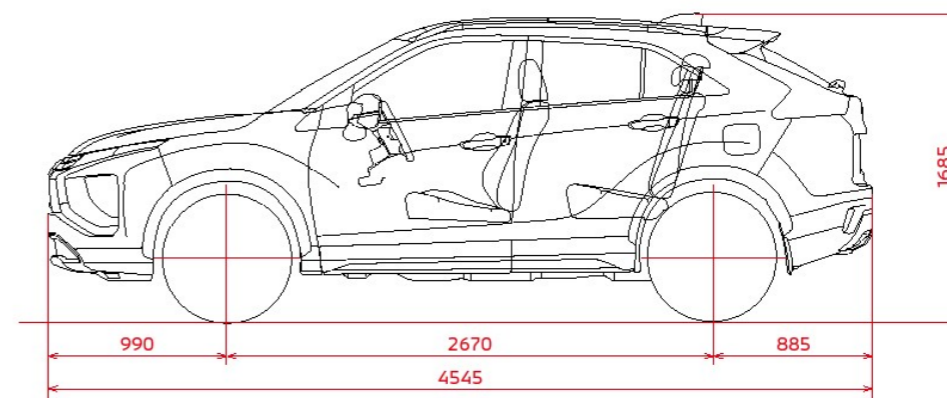
*1 Continuously Variable Transmission.

*2 Measured by MITSUBISHI MOTORS CORPORATION. Your actual mileage will vary depending on how you drive and maintain your vehicle.

*3 Acceleration, fuel consumption and CO₂ values vary depending on equipment level.

Note: Hazardous driving may cause serious injury or vehicle damage. Please drive safely at all times.

DIMENSIONAL VIEWS (Fill in according to your region's specifications. Do not print this version.)



All measurements in millimeters